

RELE SERIES
RECESSED MOUNT EDGE-LIT LED EXIT SIGN

recessed drywall mount

OVERVIEW

The RELE Series is a one-of-a-kind exit sign solution which can be configured to adapt to any type of indoor application. The universally configurable edge-lit exit sign can be made either single or double sided with either a recess or surface mount. This sign can be installed into drywall and suspended ceilings.

The battery backup model features a 90-minute battery system for emergency operation during power outages. A push button allows for easy testing of the battery backup. White or black housing colors are available.

EXTERNAL SPECIFICATIONS

The RELE Series housing is constructed from aluminum and durable and flame-retardant thermoplastic. This LED exit sign comes standard with an aluminum finish and features 6" tall letters with a color choice of red or green. The EXIT panel is clear unless ordered double-sided with mylar insert. Chevrons (arrows) are in-field applicable.

INTERNAL SPECIFICATIONS

The EDGE is configured with universal 120/277V AC input and solid state charging circuitry. Low voltage disconnect, AC lockout, and brownout protection are included standard.

ELECTRICAL SPECIFICATIONS

Connect either 120 or 277V AC power into the unit, connect the battery, and let the fixture charge for 24 hours.

LED SPECIFICATIONS

Red or green LED illumination consumes less than 5 watts electricity at all times. Maintenance-free LED technology features a lifespan of up to 15 years. A clear panel comes with the single-sided models, and a mirrored panel is supplied for double-sided models.

BATTERY BACKUP SYSTEM

The battery backup model for the EDGE is outfitted with a maintenance free, nickel cadmium exit sign battery. The battery features a 24-hour recharge time and provide 90-minutes of emergency run time. Comes standard with a current charge regulator. Simply press the external test button to satisfy monthly and yearly testing requirements.



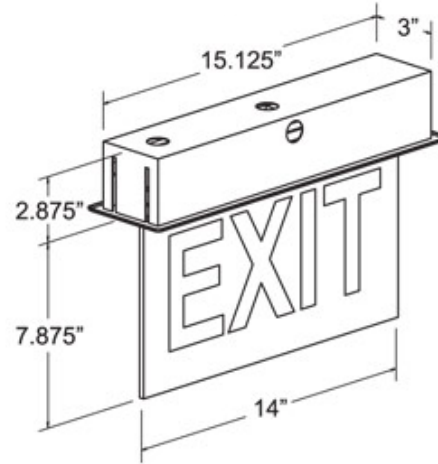
surface wall/ceiling mount

GREEN LETTERS AVAILABLE

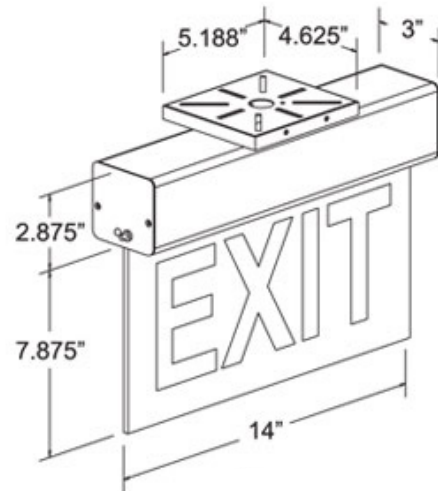


green panel shown with recessed t-bar grid mount

RECESS MOUNT DIMENSIONS



SURFACE MOUNT DIMENSIONS



INSTALLATION

Edge-lit exit signs are for indoor installation onto normally inflammable surfaces. The RELE Series is relatively easy to install. The unit comes with detailed instructions and features recess mountings for both T-bar grid and drywall ceiling applications.

The mounting bracket (surface mount only) makes attaching the EDGE to the ceiling or wall easy. Use the bracket for top (ceiling), back (wall), or side (flag) mounting configurations.

CODE COMPLIANCE

The RELE Series emergency light is compliant with building and fire code regulations throughout the United States and Canada. ETL Listed to UL 924. NFPA 101 Life Safety Code, NEC, ICC, IBC, Damp Location Approved.



WARRANTY

The RELE Series comes with a 3-year factory warranty. The lamps are not covered. Deliberate damage, misuse, or improper installation effectively cancel the warranty. Battery features a 20% per year pro-rata warranty.

ORDERING INFORMATION

Series	Operation	Letter Color	Mounting	Face Count	Options
RELE	BB (battery backup)	R (red)	S (surface)	1 (single-sided)	SDT (self-testing)
	AC (AC only)	G (green)	R (recessed t-bar grid)	2 (double-sided)	
	2CK (dual-circuit AC only)		RD (recessed drywall)		